

RATTLER | IO

Extender Module - 16 x DI

DESCRIPTION:

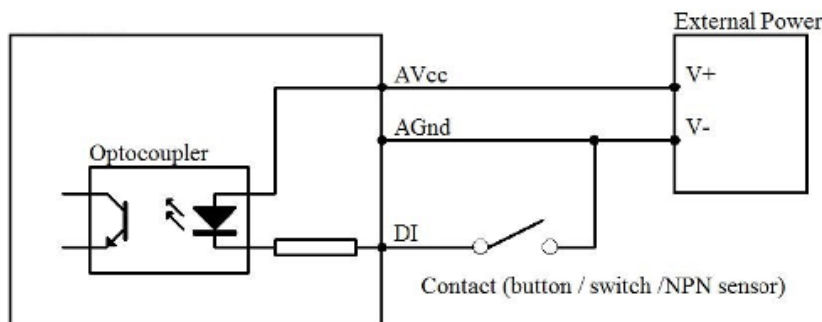
- Sixteen optoelectronic isolation digital input channels (low-level input)
- RS485 MODBUS RTU standard communication protocol
- Communication, digital input, and status LEDs
- Used for signal collection and control in the industrial sector
- Rattler 3i supports one or more extender modules



COMMUNICATION:

- RS485 Port - MODBUS RTU

DIGITAL INPUT APPLICATION DIAGRAM:



SPECIFICATION:

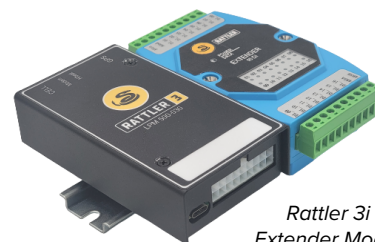
Digital Input Channel	16ch (low-level input)
Working Temperature	-20 to 70°C
External Power Supply	DC9V-30V/2W
Isolation Protection	DC1500V

INTERFACE:

AVcc	External Power Supply Input Positive
AGnd	External Power Supply Input Negative / Power Ground
DI_01	Digital Input Channel 1
DI_02	Digital Input Channel 2
DI_03	Digital Input Channel 3
DI_04	Digital Input Channel 4
DI_05	Digital Input Channel 5
DI_06	Digital Input Channel 6
DI_07	Digital Input Channel 7
DI_08	Digital Input Channel 8
DI_09	Digital Input Channel 9
DI_10	Digital Input Channel 10
DI_11	Digital Input Channel 11
DI_12	Digital Input Channel 12
DI_13	Digital Input Channel 13
DI_14	Digital Input Channel 14
DI_15	Digital Input Channel 15
DI_16	Digital Input Channel 16
485B	RS485 Signal B-
485A	RS485 Signal A+



Rattler System



Rattler 3i with
Extender Module